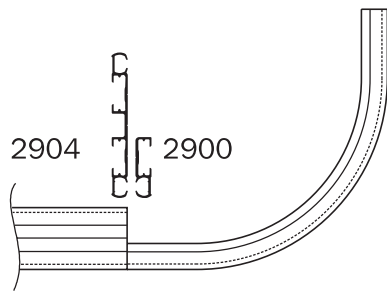
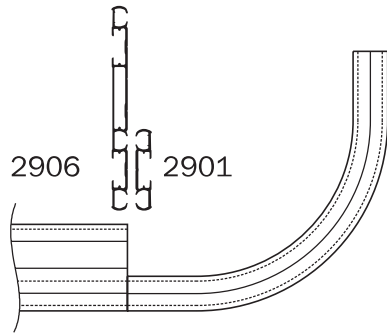


# Application example

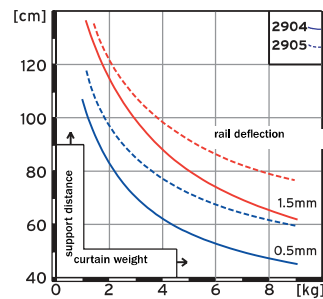
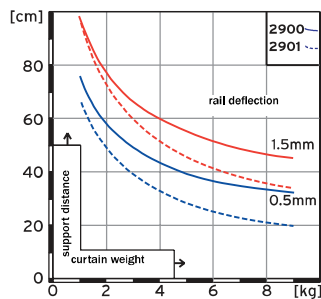


combining wide profile 2904 with 90 degree return 2900-R-W, connected via rail connector 2952.



combining wide profiles as 2905, 2906 with 90 degree return 2901-R-W, double track, connected via rail connector 2952.

## G-Standard



Bracket distance according to G-Standard or table below:

	light	medium	heavy	(curtain fabric)
2900	80	60	50	
2901	70	50	40	
2904	110	90	70	
2905	120	100	80	
2906	120	100	80	

# Application example

Standard distribution of gliders in the 2900-series channels, for example to create overlap in the multi-channel profiles. Average drill hole distances.

