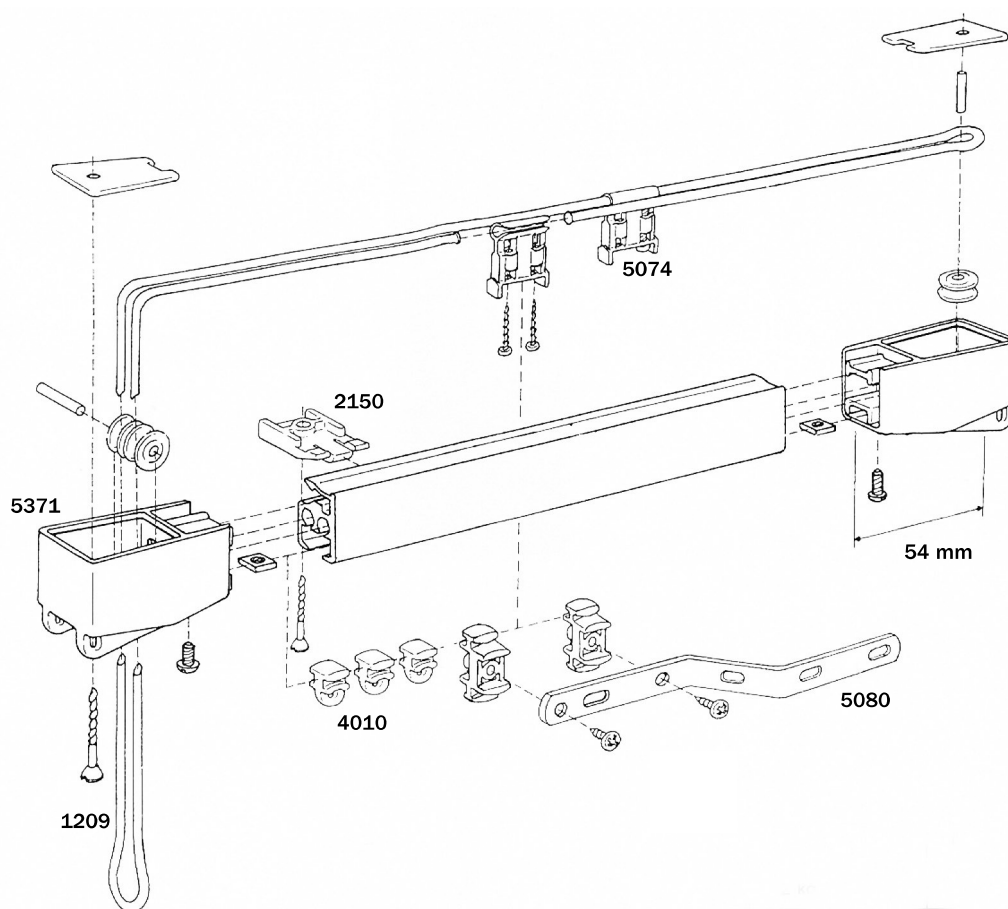


# Exploded view

## 5300

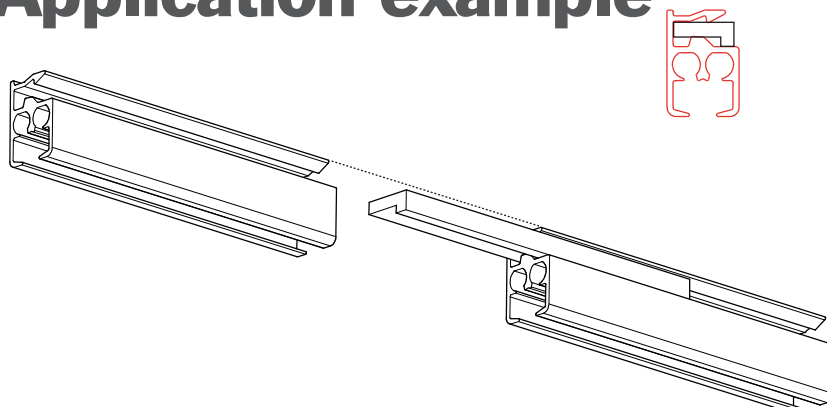


### Load table

(max. curtain weight in kg)  
(roller 4030 not compatible w. 5300)

		<b>5300</b>
curves	Glider	to 6 m
straight	4010, 4020	30
	6010	20
1 curve	4010, 4020	20
	6010	15
2 curves	4010, 4020	15
	6010	10

## Application example



application of synthetic rail connector 5352 in the rear of the 5300